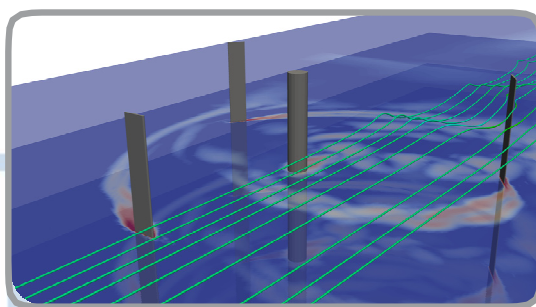
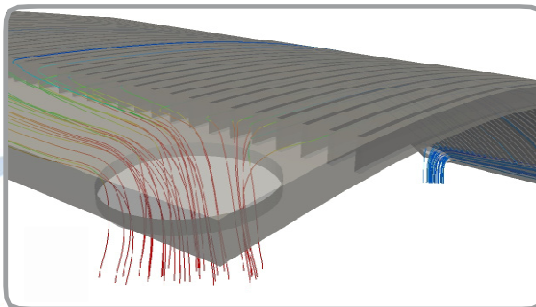
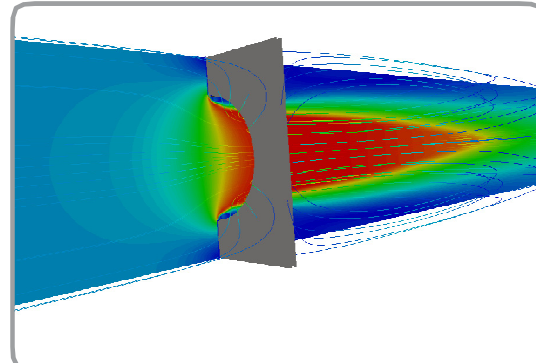
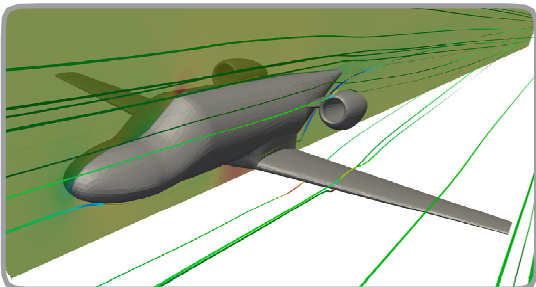
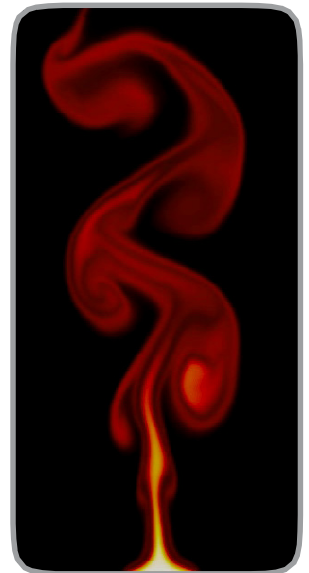
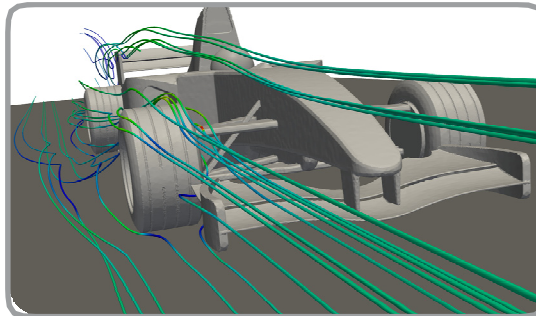


GDTech provides a complete range of **Computational Fluid Dynamics (CFD)** consulting **services** to drive products from concept to reality. Our highly skilled engineers allows for solutions to **understand** and to **predict** the **physical behavior** of complex systems where **fluids** play a significant role.

We offer **personalised, cost-effective** and **client-oriented** project services using proven and **state-of-the-art CFD** techniques. This is achieved thanks to our experienced CFD engineers specialized in numerical simulation.

CONSULTING SERVICES

- Heat Transfert (CHT)
- Compressible Flows
- Incompressible Flows
- Multi-Phase Flows
- Combustion
- Rotating Frames
- Internal Combustion Engines (ICE)
- Non-Newtonian Fluids
- Fluid Structure Interactions (FSI)
- Advanced Turbulence Modelling
- RANS, DES, LES



INDUSTRIES

- Aerospace
- Defense
- Automotive
- Energy
- Civil Engineering
- Environmental
- HVAC
- Chemical
- Electronics
- Industrial processes
- Transport