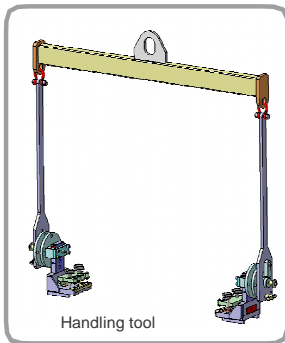
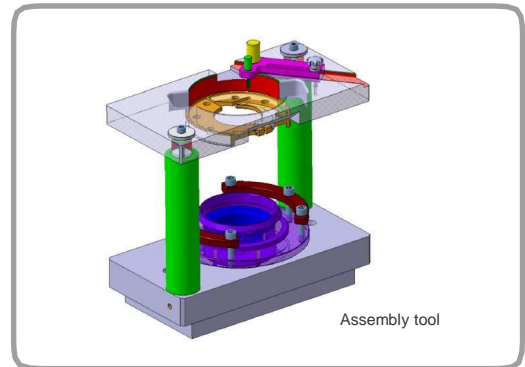


**CAD during the development phase**

- 3D design of new components
- Set of definitions

**CAD dedicated to FEA**

- Design / simplification of parametric geometries
- Mesh for FEA

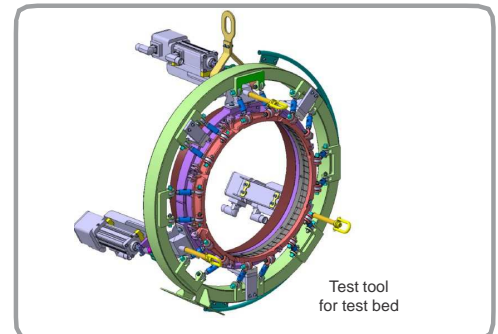


**Applications**

- Engine components, experimental models
- Project, study and set of drawings of stator vanes
- Study on intermediary engine sump
- Numerisation of blades of HP et LP compressors
- Design of optical instruments

**Expertise in tools design and manufacturing**

- Test, certification, measurement bed
- Tools for handling
- Tools for assembly
- Tools for manufacturing (adjustment, drilling, ...)
- Tools for control
- Handling accessories (cart, portico, ...)
- Tools for transportation
- Specific tools
- Mounting for engine test
- Various studies



**Applications**

- Bench measure for torsion angle of butterfly valve
- Tools for the assembly of valves
- Vibration test tool for
- Pin gage
- Drilling clip for blade
- Lifting and reversal tool
- Pod for test bed

